

Rotating Gate

Parts Guide

Thiele
Technologies
A Barry-Wehmler Company



Part Number: 00900437

© 2007 Thiele Technologies, Inc. - Streamfeeder. All rights reserved.

No part of this publication may be reproduced, photocopied, stored on a retrieval system, or transmitted without the express written consent of Thiele Technologies, Inc. - Streamfeeder.

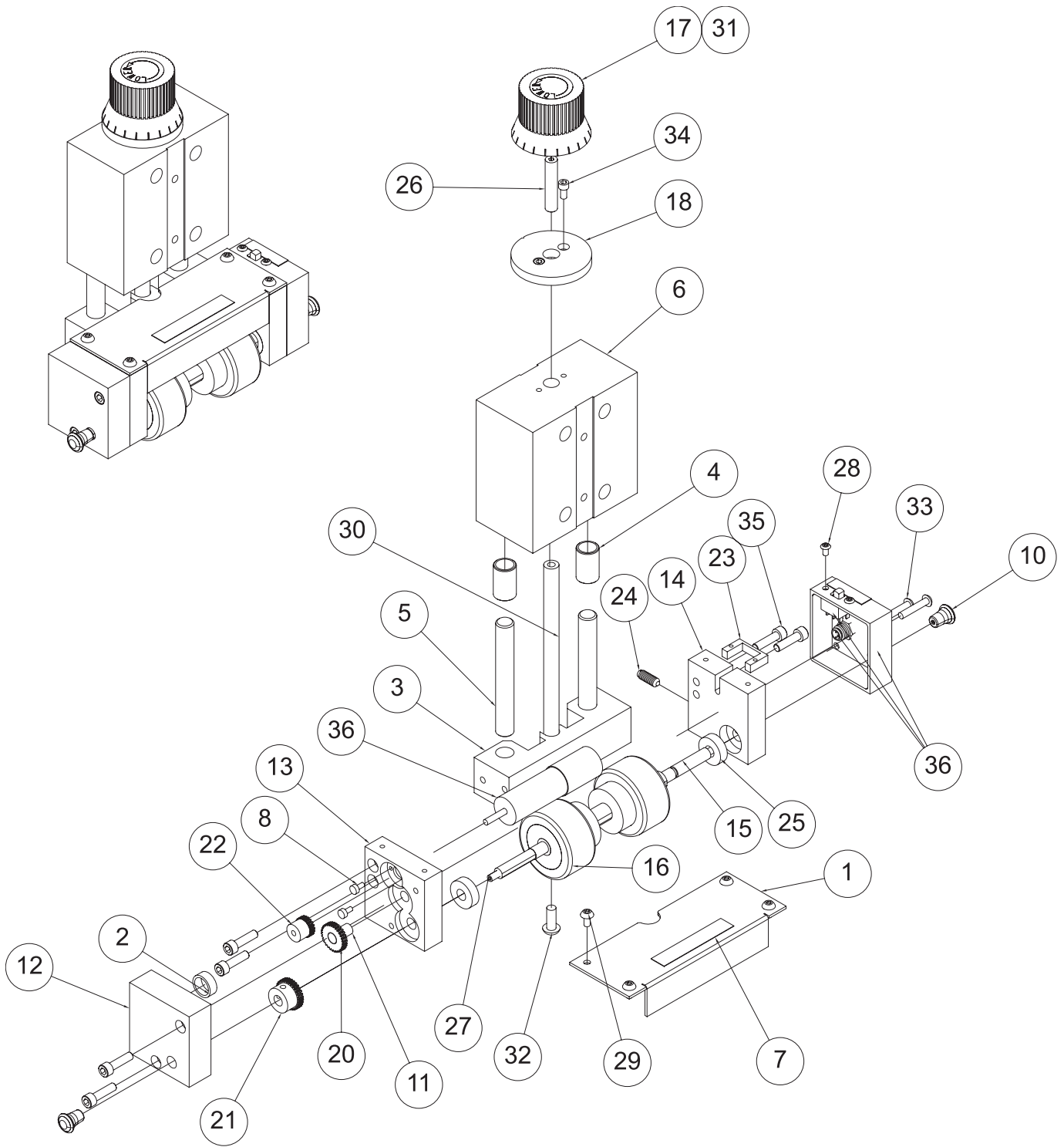
Thiele Technologies, Inc. - Streamfeeder
103 Osborne Road
Minneapolis, MN 55432-3120 USA

TEL: 763.502.0000
FAX: 763.502.0100
E-MAIL: service@streamfeeder.com
WEB: www.streamfeeder.com

Printed in the USA.

ROTATING GATE ASSEMBLY

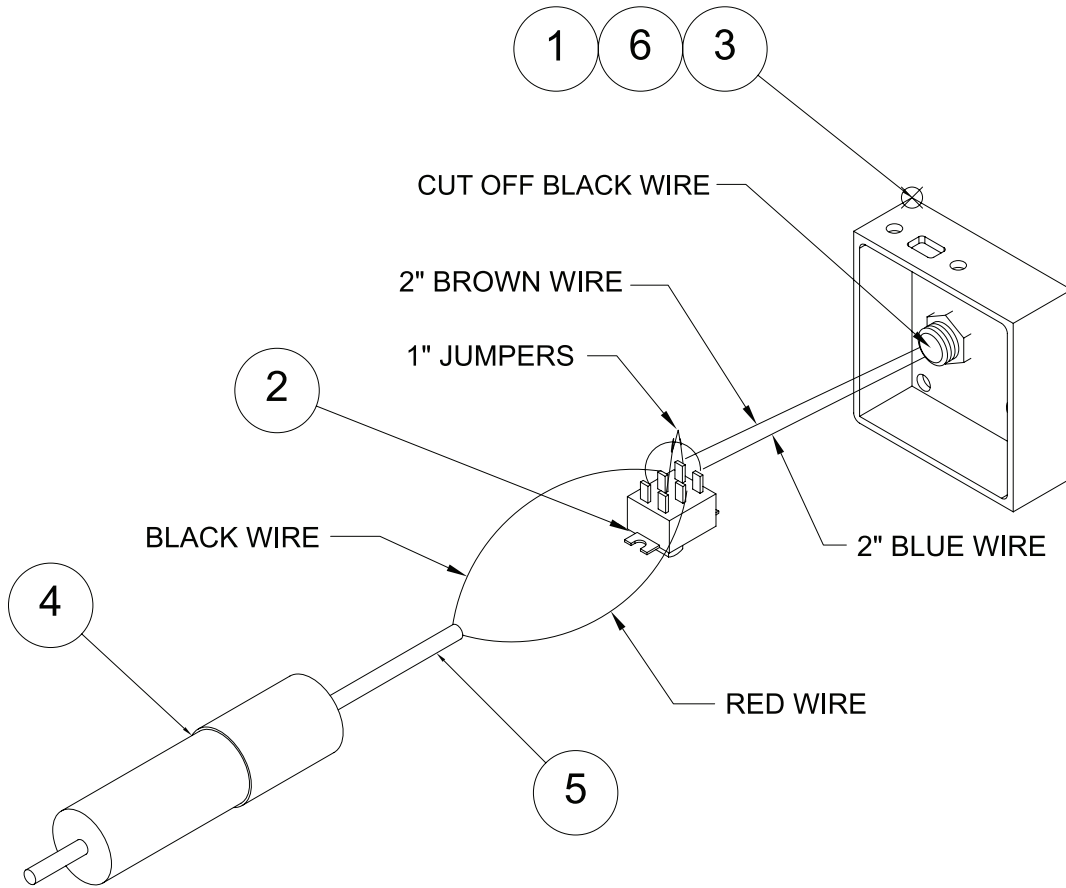
Assembly # : 16321109



ITEM	QTY	PART NUMBER	DESCRIPTION
1	1	51326013	MOTOR COVER
2	1	51326012	BEARING INSERT
3	1	51739055	GATE DOWEL BLOCK
4	2	51632070	IGUS BEARING SLEEVE
5	2	51632060	DOWEL PIN
6	1	51632058	GATE SLEEVE BLOCK
7	1	51326018	LABEL PATENT PENDING
8	2	51326017	M2 X 5MM
9	1	51326016	CUT SWITCH POSITION INDICATOR
10	2	51326014	KNOB
11	1	51326011	DOWEL PIN
12	1	51326009	GEAR COVER
13	1	51326007	ROLLER SUPPORT ARM
14	1	51326003	ROLLER SUPPORT ARM
15	1	51326002	ROLLER SHAFT
16	2	51326001	ROLLER
17	1	51277083	KNOB
18	1	51277082	KNOB BASE
19	1	51277081	KNOB INSERT
20	1	44874063	6MM SPUR GEAR 30T HUBLESS
21	1	44874062	6MM SPUR GEAR 32T
22	1	44874061	6MM SPUR GEAR 20T
23	1	44874028	SWITCH MOUNT
24	1	44681019	10-32 BALL PLUNGER
25	2	44582021	BRG R4
26	1	3407	SS 1/4-28 X 1/25
27	2	3362	6-32 X 5/8 SS
28	2	3342	BHCS SS 4-40 X 3/16
29	4	3305	B 6-32 X 1/4
30	1	23560084	GATE LIFT SHAFT
31	1	23500084	GATE ADJ KNOB LABEL
32	1	2334	B 10-32 X 1/2
33	2	2332	BHCS 6-32 X 3/4
34	2	2311	S 5-40 X 1/4
35	6	2215	SHCS 8-32 X 5/8
36	1	311-0068	ASSY, MOTOR SWITCH

MOTOR SWITCH ASSEMBLY

Assembly # : 311-0068



ITEM	QTY	PART NUMBER	DESCRIPTION
1	1	51326008	SWITCH BLOCK
2	1	53500556	SWITCH SLIDE
3	1	53500553	CONNECTOR MALE RECEPTACLE
4	1	51326015	MOTOR W/GEAR BOX
5	1	53500973	2" HEAT SHRINK TUBING
6	1	53500555	NUT

Thiele | **Streamfeeder**
Technologies |
A Barry-Wehmler Company

103 Osborne Road • Minneapolis, MN 55432-3131 USA
TEL: 763.502.0000 • FAX: 763.502.0100
E-MAIL: service@streamfeeder.com
WEB: www.streamfeeder.com

